

# GURTE, BÄNDER UND RATSCHEN

*BELTS, TAPES AND RATCHETS*

Ösen  
Eyelets

Nieten  
Rivets

Seile  
Ropes

Schienen  
Rails

Planen  
Tarp systems

Gurte  
Belts

Werkzeuge  
Tools

Nähen  
Sewing

Folien  
Folfs



### GURTBAND - UV-beständig (Polyester)

WEBBING - UV-resistant (polyester)

Art.-Nr. art.no.	VE unit	B (mm) width	RF tensile strength	Farbe color
161010	100 m	20,0	600 daN	weiß white
161011	100 m	20,0	600 daN	schwarz black
161013	100 m	25,0	1.020 daN	weiß white
161014	100 m	25,0	1.020 daN	schwarz black
161030	100 m	25,0	1.020 daN	grau grey
161022	100 m	25,0	1.020 daN	oliv olive
161018	100 m	30,0	1.020 daN	rohweiß white
161038	100 m	30,0	1.020 daN	schwarz black
161024	100 m	35,0	3.000 daN	oliv olive
161015	100 m	35,0	3.000 daN	weiß white
161008	100 m	40,0	810 daN	weiß white
161023	100 m	40,0	810 daN	schwarz black
161063*	50 m	40,0	1.200 daN	weiß white
161064*	50 m	40,0	1.200 daN	schwarz black

\*feste Ausführung

\*rigid version



### ZURRGURTE - UV-beständig (Polyester)

LASHING STRAPS - UV-resistant (polyester)

Art.-Nr. art.no.	VE unit	B (mm) width	RF tensile strength	Farbe color
161003	100 m	25,0	2.200 daN	orange orange
161001	100 m	35,0	3.000 daN	rot red
161026	100 m	35,0	3.000 daN	schwarz black
161029	100 m	50,0	6.000 daN	schwarz black
161019	100 m	50,0	7.500 daN	blau blue
161002	100 m	50,0	7.500 daN	orange orange



### ZURRGURTE - für Spanner / UV-beständig (Polyester)

LASHING STRAPS - for tensioners / UV-resistant (polyester)

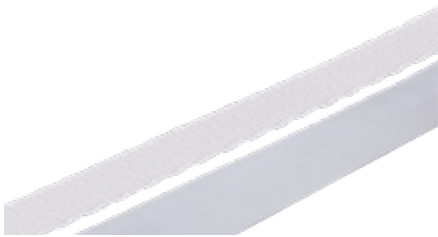
Art.-Nr. art.no.	VE unit	B (mm) width	RF tensile strength	Farbe color
161004	100 m	45,0	2.350 daN	schwarz black



### AUTOGURT - UV-beständig (Polyester)

SAFETY BELT - UV-resistant (polyester)

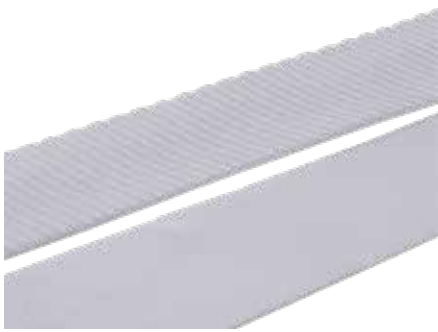
Art.-Nr. art.no.	VE unit	B (mm) width	RF tensile strength	Farbe color
161016	100 m	48,0	2.500 daN	schwarz black



### FAHNENBÄNDER - weiß

FLAG TAPES - white

Art.-Nr. art.no.	VE unit	B (mm) width	RF tensile strength	Ausführung design
161020	250 m	10,0	340 daN	für Fahnenhalter for flagholders
161021	100 m	50,0	-----	Einfassband für Fahnen mit Faltkante border tape for flags with folding edge



### GURTBAND - Polypropylen

nicht für den dauerhaften Gebrauch im Außenbereich!

WEBBING - polypropylene  
not for permanent outdoor use!

Art.-Nr. art.no.	VE unit	B (mm) width	Farbe color	
161009	100 m	20,0	weiß	white
161031	50 m	25,0	weiß	white
161037	50 m	25,0	gelb	yellow
161036	50 m	25,0	rot	red
161035	50 m	25,0	dunkelblau	navy
161034	50 m	25,0	blau	blue
161033	50 m	25,0	grau	grey
161032	50 m	25,0	schwarz	black
161017	100 m	40,0	weiß	white
161025	100 m	75,0	weiß - Spleitex Nagelband	white- spleitex nail strip



### RUCKSACKGURT - Polypropylen

BACKPACK STRAPS - polypropylene

Art.-Nr. art.no.	VE unit	B (mm) width	Farbe color	
161080	100 m	25,0	schwarz	black
161081	100 m	30,0	schwarz	black
161082	100 m	40,0	schwarz	black
161083	100 m	50,0	schwarz	black



### ROLLADENGURT - Reyon

ROLLER BLIND BELTS - rayon

Art.-Nr. art.no.	VE unit	B (mm) width	Farbe color	
161056	50 m	12,0	beige	beige
161057	50 m	14,0	beige	beige
161058	50 m	16,0	beige	beige
161059	50 m	18,0	beige	beige
161060	50 m	20,0	beige	beige
161061	50 m	23,0	beige	beige

ZERTIFIZIERT  
CERTIFIED



### PVC-GURTBAND - zum Verschweißen

PVC-WEBBING - for welding

Art.-Nr. art.no.	VE unit	B (mm) width	RF tensile strength	Farbe color
151154	100 m	48,0	1.300 daN	weiß white
151155	100 m	48,0	1.300 daN	hellgrau light grey
151156	100 m	48,0	1.300 daN	schwarz black
151160	100 m	48,0	1.300 daN	dunkelgrau darkgrey
151157	100 m	48,0	2.400 daN	weiß white
151158	100 m	48,0	2.400 daN	hellgrau light grey
151159	100 m	48,0	2.400 daN	schwarz black
151161	100 m	48,0	2.400 daN	dunkelgrau darkgrey

### GURTSCHLÖSSER für Gurtbänder 2-teilig

BELT BUCKLES - for webbing belts 2-pieces



Art.-Nr. art.no.	VE unit	B (mm) width	Material material
161040	100	25,0	PE - schwarz PE - black
161041	100	40,0	PE - schwarz PE - black
161042	100	50,0	PE - schwarz PE - black

### SCHIEBER für Gurtbänder

SLIDER for webbing belts



Art.-Nr. art.no.	VE unit	B (mm) width	Material material
161044	100	25,0	PE - schwarz PE - black
161045	100	50,0	PE - schwarz PE - black
161046	100	40,0	PE - schwarz PE - black

### SCHLAUFEN für Gurtbänder

LOOPS for webbing belts



Art.-Nr. art.no.	VE unit	B (mm) width	Material material
161047	100	25,0	PE - schwarz PE - black
161048	100	40,0	PE - schwarz PE - black
161049	100	50,0	PE - schwarz PE - black

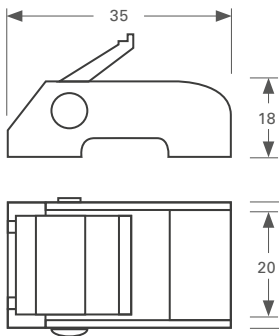


### KLEMMSCHLÖSSER für Gurtbänder

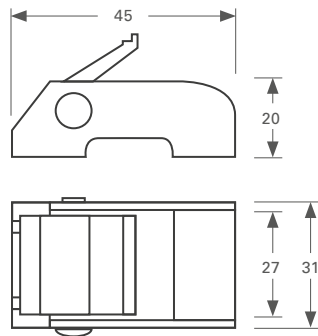
CAM BUCKLES for webbing belts

Art.-Nr. art.no.	VE unit	Gurtbreite (mm) belt width	Bruchlast breaking load	Ausführung design
161050	1   100	20,0	2,0 kN	Klemmhebel einseitig - verzinkt zinc plated - one-sided
161051	1   100	25,0	2,5 kN	Klemmhebel einseitig - verzinkt zinc plated - one-sided
161052	1   100	35,0	8,0 kN	Klemmhebel einseitig - verzinkt zinc plated - one-sided
161053	1   100	50,0	10,0 kN	Klemmhebel einseitig - verzinkt zinc plated - one-sided
161054	1   100	25,0	4,5 kN	Klemmhebel einseitig - <b>NIROSTA</b> inox - one-sided
161055	1   100	25,0	2,5 kN	Klemmhebel beidseitig - verzinkt zinc plated - both-sided

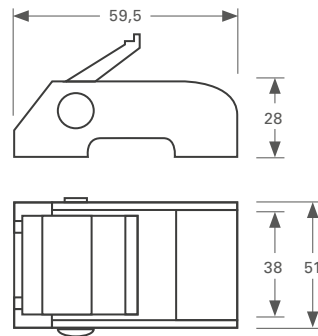
Art.-Nr.: 161050  
art.no.: 161050



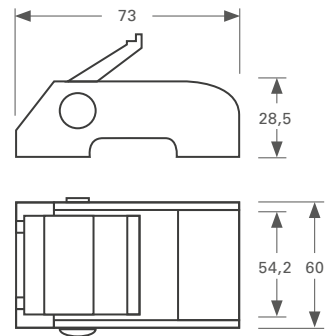
Art.-Nr.: 161051  
art.no.: 161051



Art.-Nr.: 161052  
art.no.: 161052



Art.-Nr.: 161053  
art.no.: 161053



### KLEMMSCHLÖSSER mit vernähten Gurtbändern

CAM BUCKLES with stitched webbing

Art.-Nr. art.no.	VE unit	Gurtbreite (mm) belt width	Bruchlast breaking load	L length	Farbe color
161066	1	18,0	150 daN	0,80 m	grau meliert heather grey
161067	1	20,0	180 daN	0,40 m	schwarz black
161068	1	25,0	250 daN	0,55 m	blau blue
161069	1	25,0	250 daN	2,5 m	schwarz black
161070	1	25,0	250 daN	3,0 m	schwarz black
161071	1	25,0	250 daN	3,0 m	weiß white
161072	1	25,0	250 daN	4,0 m	schwarz black
161074	1	25,0	250 daN	4,5 m	weiß white
161073	1	25,0	250 daN	4,5 m	schwarz black
161075	1	25,0	250 daN	5,0 m	schwarz black
161076	1	25,0	250 daN	6,0 m	schwarz black



### RATSCHENZURRGURT - komplett mit Gurt und Haken

RATCHETS LASHING STRAP - completely with belt and hook

Art.-Nr. art.no.	VE unit	B (mm) width	Gurtlänge (mm) belt length	RF tensile strength
162001	1	25,0	7,0 m	1.000 daN
162002	1	35,0	8,0 m	2.000 daN
162003	1	50,0	8,0 m	5.000 daN



### RATSCHENZURRGURT - mit automatischer Gurtaufrollmechanik

RATCHETS LASHING STRAP - with auto rewind mechanism

Art.-Nr. art.no.	VE unit	B (mm) width	Gurtlänge belt length	RF tensile strength	Ausführung design
162004	1	25,0	1,85 m	250 daN	zwei S-Haken 2 - S-hooks
162006	1	25,0	1,85 m	250 daN	zwei Spitzhaken 2 - claw hooks
162005	1	50,0	3,00 m	500 daN	zwei S-Haken 2 - S-hooks
162007	1	50,0	3,00 m	500 daN	zwei Spitzhaken 2 - claw hooks



### RATSCHEN - verzinkt - Gurtbreite 25 mm

DIN-EN 12195-2

RATCHETS - zinc plated - webbing width 25 mm

DIN-EN 12195-2

Art.-Nr. art.no.	VE unit	L (mm) length	Griffbreite (mm) handle width	RF tensile strength	Spannkraft clamping force
162012	1	130,0	60,0	1.500 daN	75 - 375 daN



### RATSCHEN - verzinkt - Gurtbreite 35 mm

DIN-EN 12195-2- verkröpfte Form

RATCHETS - zinc plated - webbing width 35 mm

DIN-EN 12195-2 - cranked version

Art.-Nr. art.no.	VE unit	L (mm) length	Griffbreite (mm) handle width	RF tensile strength	Spannkraft clamping force
162013	1	134,0	70,0	2.000 daN	100 - 500 daN



### RATSCHEN - verzinkt - Gurtbreite 50 mm

DIN-EN 12195-2 - mit Transportsicherung und Kunststoffgriff

RATCHETS - zinc plated - webbing width 50 mm

DIN-EN 12195-2 - with transport safety and plastic handle

Art.-Nr. art.no.	VE unit	L (mm) length	Griffbreite (mm) handle width	RF tensile strength	Spannkraft clamping force
162014	1	230,0	100,0	5.000 daN	250 - 1.250 daN



### RATSCHEN - NIROSTA - Gurtbreite 25 mm

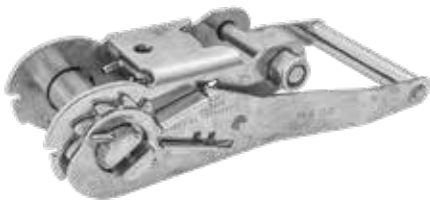
DIN-EN 12195-2 - mit breitem Griff

RATCHETS - INOX - webbing width 25 mm

with wide handle

DIN-EN 12195-2

Art.-Nr. art.no.	VE unit	L (mm) length	Griffbreite (mm) handle width	RF tensile strength	Spannkraft clamping force
162015	1	131,0	64,0	1.500 daN	75 - 375 daN



### RATSCHEN - NIROSTA

DIN-EN 12195-2 - mit breitem Griff und Sperre

RATCHETS - INOX

with wide handle and lock

DIN-EN 12195-2

Art.-Nr. art.no.	VE unit	L (mm) length	Griffbreite (mm) handle width	RF tensile strength	Spannkraft clamping force	Anwendung usage
162016	1	137,0	75,0	1.500 daN	75 - 375 daN	35 mm Gurte 35 mm belts
162017	1	230,0	104,0	4.000 daN	200 - 1.000 daN	50 mm Gurte 50 mm belts



### RATSCHEN - verzinkt - kurze Ausführung mit 2 Löchern

DIN-EN 12195-2 - mit breitem Griff

RATCHETS - zinc plated - short version with 2 holes

with wide handle

DIN-EN 12195-2

Art.-Nr. art.no.	VE unit	L (mm) length	Griffbreite (mm) handle width	RF tensile strength	Spannkraft clamping force	Anwendung usage
162018	1	132,0	75,0	2.000 daN	100 - 500 daN	35 mm Gurte 35 mm belts
162019	1	134,0	81,0	2.000 daN	100 - 500 daN	50 mm Gurte 50 mm belts



## ZURRMULDE

LASH TRAY

Art.-Nr. <i>art.no.</i>	VE <i>unit</i>	Abmessung (mm) <i>dimensions</i>	Ø Ring (mm) <i>Ø ring</i>	Material <i>material</i>
162008	1	105,0 x 105,0	40,0	verzinkt <i>zinc plated</i>



## ZURRGURTHAKEN - verzinkt

LASHING STRAP HOOKS - zinc plated

Art.-Nr. <i>art.no.</i>	VE <i>unit</i>	B (mm) <i>width</i>	Ausführung <i>design</i>	
122092	1	25,0	Drahthaken	<i>wire hook</i>
122093	1	35,0	Drahthaken	<i>wire hook</i>
122094	1	50,0	Drahthaken	<i>wire hook</i>
122095	1	58,0	Klauenhaken	<i>claw hook</i>
122096	1	50,0	Karabinerhaken	<i>carabine hook</i>